



## Features

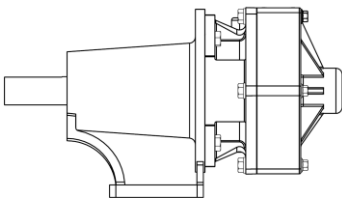
- **Pump Design** – Compact, close coupled
- **Pump Body** – Non-metallic
- **Protective Impeller**- Dry motor shaft
- **Flush Options** – Recirculating & Internal

## Applications

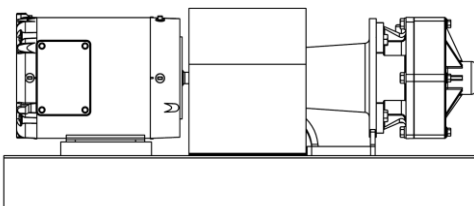
- Marine R.O. systems
- Water Treatment Systems
- Fume Scrubbing Filtering
- D.I. Water
- Chillers
- Finished Chemical Transfer

## Optional Configurations

- **Power Frame Mounting:**



- **Long-Coupled Mounting:**



## RP75

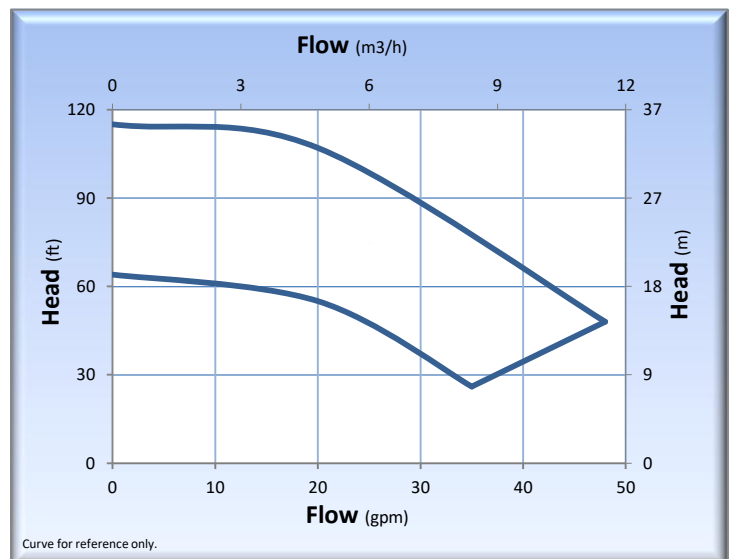
### Pump Volute / Impeller Materials

RP75 (NN) – NORYL® (30% Glass Filled) / CPVC

### Standard Specifications

- Discharge 3/4" FNPT, Suction 3/4" FNPT
- Maximum Impeller Diameter: 5.12"
- Motor: NEMA C Face (Multiple enclosures available)
- Mechanical Seal:
  - Single, 1" Type 36 EPR, Carbon vs. Ceramic
  - Note: Type 21 seal available*
- Bracket Material: NORYL®
- O-ring: EPR (Viton® optional)

### Performance Curve – 60 Hz



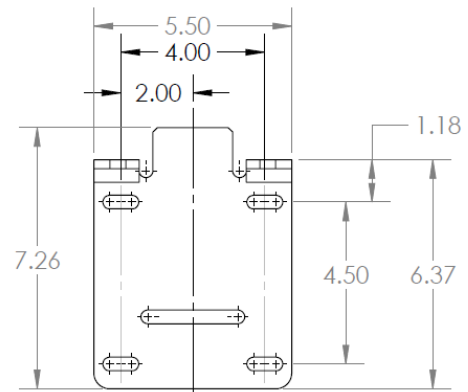
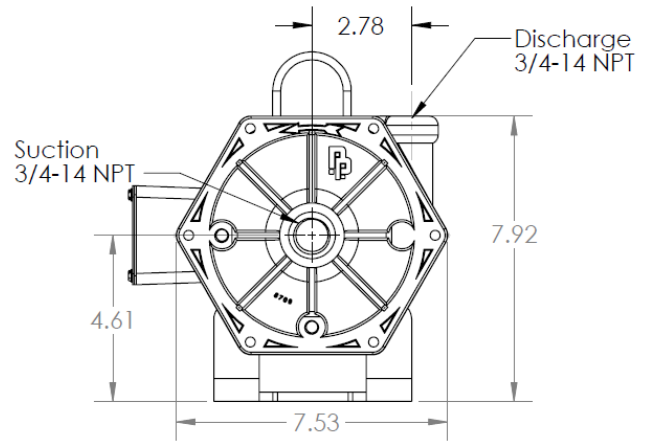
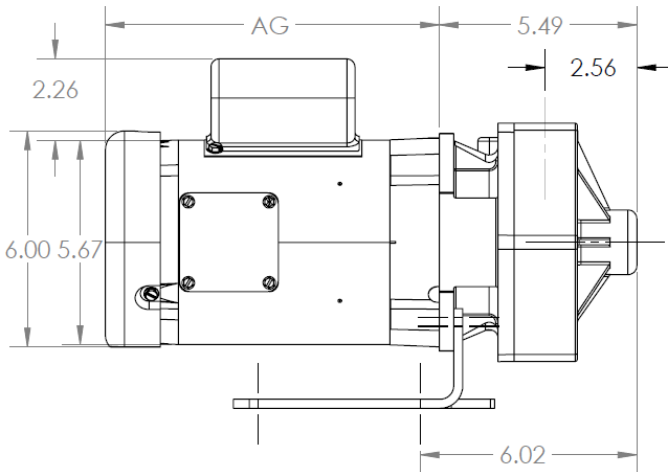
# RP75

Technical Information	
<b>B.E.P Flow</b>	<b>37 GPM</b> (8.40 m <sup>3</sup> /hr)
<b>MAX Runout Flow</b>	<b>44 GPM</b> (10.0 m <sup>3</sup> /hr)
<b>Max Head</b>	<b>110 feet</b> (33.5 m)
<b>Min. Flow</b>	<b>2 GPM</b> (1.1 m <sup>3</sup> /hr)
<b>Max Solid Size</b>	<b>0.150"</b> (3.81 mm)
<b>Max Working Pressure</b>	(Type 21 Seal) <b>115 PSI</b> (7.93 bar) Or (Type 36 Seal) <b>75 PSI</b> (5.2 bar)
<b>Max Temp. (RP75NN)</b>	<b>140°F</b> (60°C)*

Materials of Construction	
RP75	NN
<b>Volute</b>	<b>NORYL®</b>
<b>Impeller</b>	<b>CPVC</b>
<b>Bracket</b>	<b>NORYL®</b>
<b>Elastomers</b>	<b>EPR</b>
<b>Fasteners</b>	<b>Stainless Steel</b>

\* Temperature limits are based on standard seal and gasket materials, and will vary according to the liquid being pumped.

## Dimensions



HP	RPM	FRM	AG
1/4	1800	56C	7-3/4
1/3	1800	56C	8-1/4
1/2	1800	56C	8-3/4
1/3	3600	56C	8-1/2
1/2	3600	56C	8-3/4
3/4	3600	56C	9-1/4
1	3600	56C	9-3/4
1 1/2	3600	56C	10-1/2
2	3600	56C	11-1/8

NOTE:  
1. MOTOR DIMENSIONS WILL VARY BY MODEL AND MAKE. DIMENSIONS ARE TO BE USED FOR REFERENCE ONLY

**PRICE PUMP CO.**

21775 Eighth Street East  
Sonoma, CA 95476-0329

MAIN (707) 938-8441

TOLL FREE (800) 345-7867

FAX (707) 938-0764

E-mail: [sales@pricepump.com](mailto:sales@pricepump.com)

Website: [www.pricepump.com](http://www.pricepump.com)

Contact factory for special pump configurations,  
same day, and next day delivery options.

Member of:  
**Hydraulic INSTITUTE**

